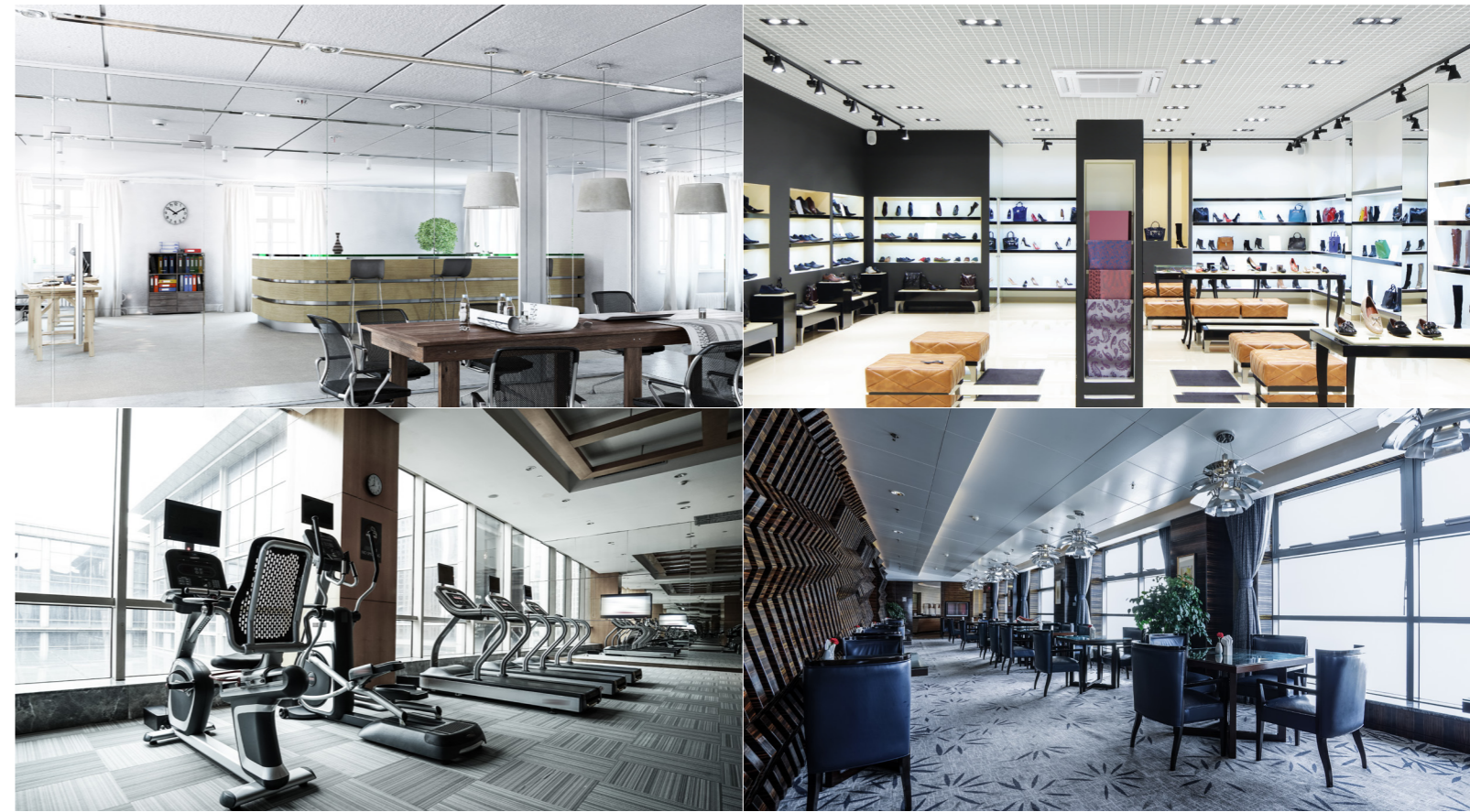


SINGLE-SPLIT PACKAGED  
AIR CONDITIONERS  
2018 / 2019

**Panasonic**  
BUSINESS



**Building Passion,  
Building Solutions.**  
Panasonic Air Conditioning Systems

We face a time in which "quality air" differentiates business. It's a time for Panasonic to fully display its strengths. Our ability to assemble and build superior systems isn't just due to the rich resources we have as a comprehensive electronics manufacturer, but also to Panasonic's 100 years of tradition, where each person thinks and acts on their own initiative while working in a team to reach further heights. We do not compromise. Each of our independent selves is a one stop solution. We face our customers' challenges together with our customers and do all that we can to build effective systems. As a true partner for our customers, we strive to always be at the forefront of business.

- Please read the Installation Instructions carefully before installing the unit, and the Operating Instructions before using it.
- Specifications are subject to change without prior notice.
- The contents of this catalogue are accurate as of January 2018.
- Due to printing considerations, the actual colours may vary slightly from those shown.
- All graphics are provided merely for the purpose of illustrating a point.



Do not add or replace refrigerant other than the specified type. Manufacturer is not responsible for the damage and deterioration in safety due to usage of other refrigerant.

Authorised Dealer

PAC NONINVERTER THA MAY 2018



NON-INVERTER



Panasonic A. P. Sales (Thailand) Co. Ltd.

18/6 Moo 7, Bangna-trad Road Km. 17,  
Bangchalong, Bangplee, Samutprakarn  
10540, Thailand.



Panasonic Global Air Conditioner

Global Site : [aircon.panasonic.com](http://aircon.panasonic.com)  
PROClub : [panasonicproclub.global](http://panasonicproclub.global)

[airconpanasonicglobal](https://www.youtube.com/airconpanasonicglobal)

QUALITY AIR FOR LIFE

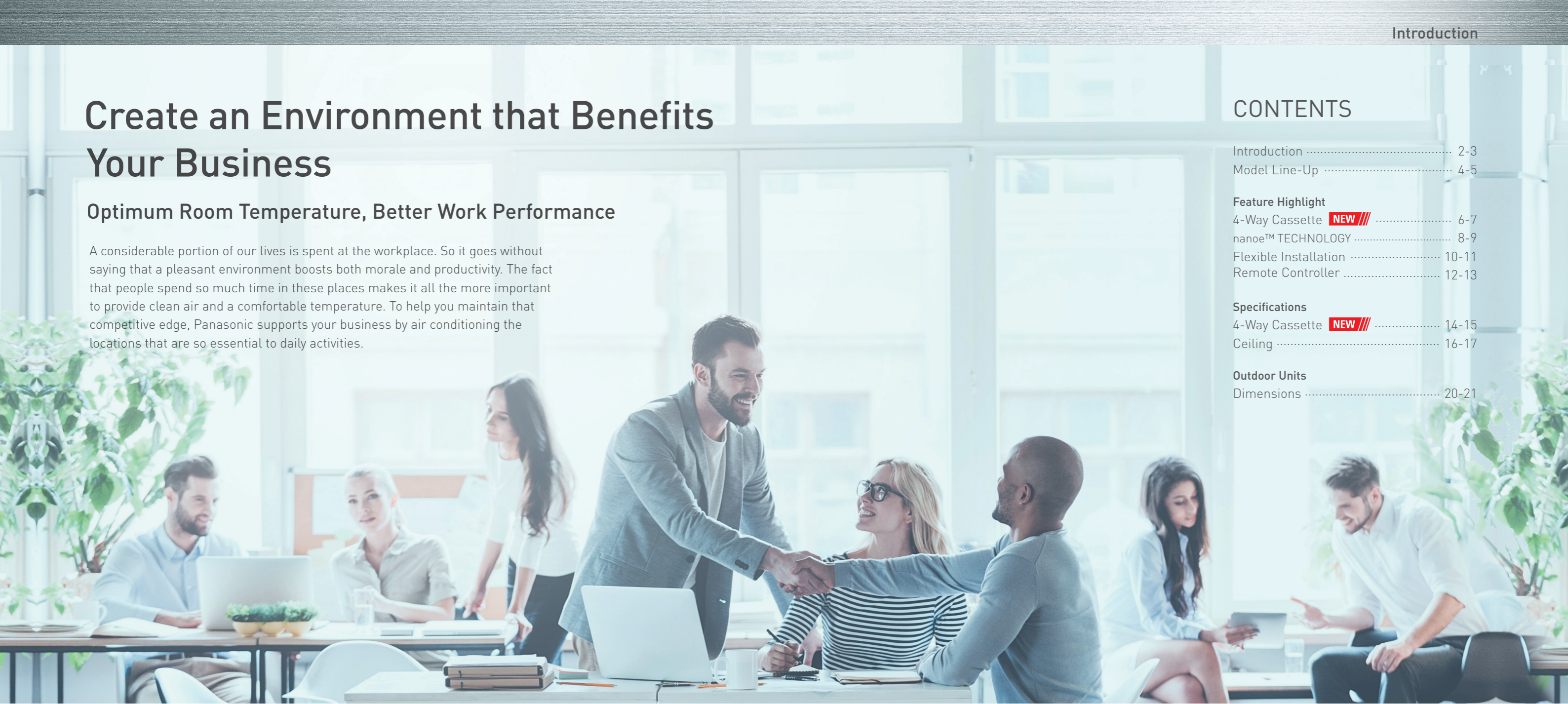
# Create an Environment that Benefits Your Business

## Optimum Room Temperature, Better Work Performance

A considerable portion of our lives is spent at the workplace. So it goes without saying that a pleasant environment boosts both morale and productivity. The fact that people spend so much time in these places makes it all the more important to provide clean air and a comfortable temperature. To help you maintain that competitive edge, Panasonic supports your business by air conditioning the locations that are so essential to daily activities.

## CONTENTS

- Introduction ..... 2-3
- Model Line-Up ..... 4-5
- Feature Highlight**
- 4-Way Cassette **NEW** ..... 6-7
- nanoe™ TECHNOLOGY ..... 8-9
- Flexible Installation ..... 10-11
- Remote Controller ..... 12-13
- Specifications**
- 4-Way Cassette **NEW** ..... 14-15
- Ceiling ..... 16-17
- Outdoor Units**
- Dimensions ..... 20-21



## What's new

### 4-Way Cassette **NEW**



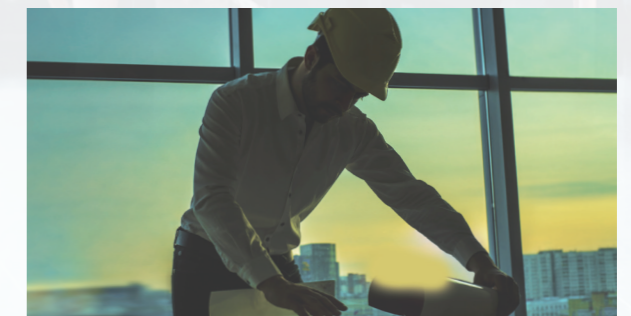
Provides a neat fit in the ceiling to match modern decor, and uniform cooling throughout the room, plus easy installation.

### nanoe™ TECHNOLOGY **NEW**



nanoe™ X containing plenty of OH radicals that inhibits bacteria and virus, deodorizes unpleasant odours and keeps room air clean and fresh.

### Flexible Installation



Panasonic outdoor units are built to be compact with versatile piping and draining methods as well as side-by-side installation capabilities.

# MODEL LINE-UP

PANASONIC PACKAGED AIR CONDITIONERS ARE THE IDEAL AIR CONDITIONING SOLUTIONS FOR OFFICES, EDUCATIONAL INSTITUTIONS, RESTAURANTS AND RETAIL STORES.

Panasonic provides high performance air conditioning systems that extend from homes to businesses. These products comply with stringent environmental requirements and advanced building standards in the modern commercial environment.

## 4-WAY CASSETTE

**NEW**



The 4-way direction airflow released through four vanes provides wide and even cooling.

## CEILING



Providing outstanding energy-saving performance, comfort and long-distance air flow distribution, these units are perfect for retail stores and schools.

Capacity (Btu/h)	18,400-18,800	22,500-24,200	30,000	37,200	41,900	45,000-47,100	51,200-54,200
<b>4-WAY CASSETTE</b> Optional  P.14-15 <b>NEW</b>	 S-18PU1T5	 S-24PU1T5	 S-30PU1T5	 S-36PU1T5	 S-42PU1T5	 S-45PU1T5	 S-51PU1T5
<b>CEILING</b> P.16-17	 S-18PT1T5	 S-24PT1T5	 S-30PT1T5	 S-36PT1T5	 S-42PT1T5	 S-48PT1T5	 S-51PT1T5
<b>OUTDOOR UNITS</b> P.18-19 <b>NEW</b>	 U-18PV1UT5   for CEILING U-18PV1TT5	 U-24PV1T5	 U-30PV1T8*	 U-36PV1T8*	 U-42PV1T8*	 U-45PV1T8*   for CEILING U-48PV1T8*	 U-51PV1T8*

\*3-Phase

# 4-Way Cassette **NEW**



Provides a neat fit in the ceiling to match modern decor, and uniform cooling throughout the room, plus easy installation.



## Powerful Airflow

The Twisted 3D Blade Fan with compact design can increase airflow.

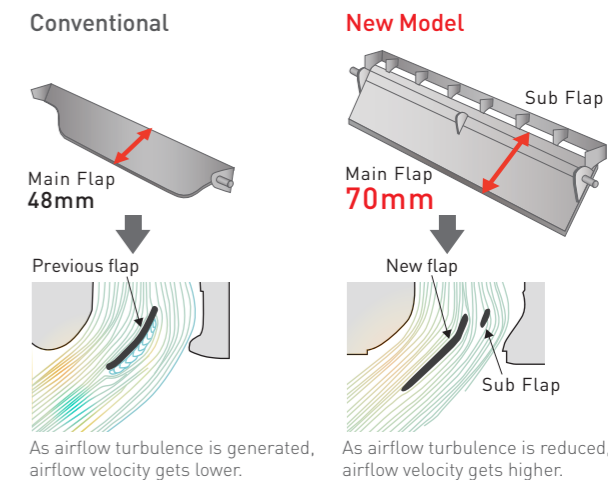
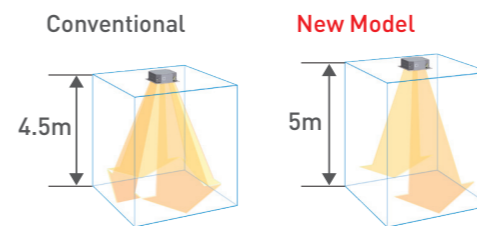


## Fast Cooling

## 4-Way Cassette

### Wide Flap

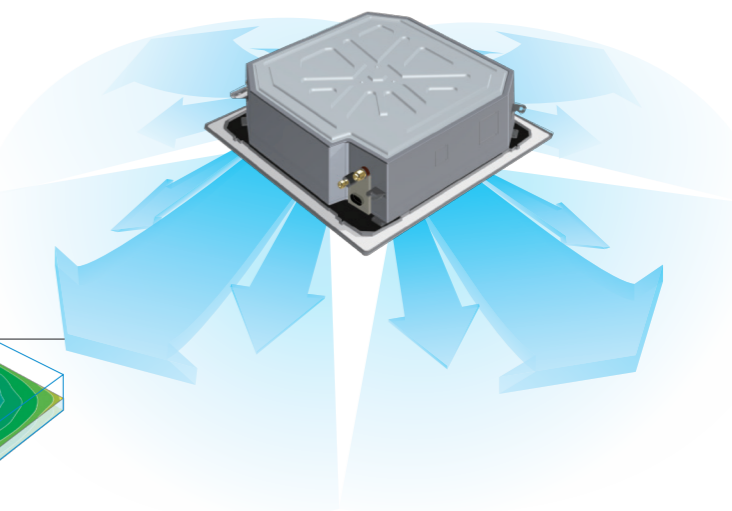
Adding a sub flap and widening the main flap have reduced turbulence and increased airflow. Also, the wider angle jetting port allows the airflow to reach as far as five meters.



### 360° Wide & Comfortable Airflow

Air coming out of the centre of the discharge outlets travels farther. Air is discharged across a wide area from the four sides of the unit. The curves on the room temperature distribution graph expand gently out through 360° in a circle centred on the indoor unit.

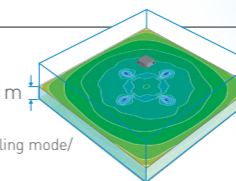
Ample airflow: 33 m<sup>3</sup>/min  
Industry's leading in the 45PU class.



### 360° Wide

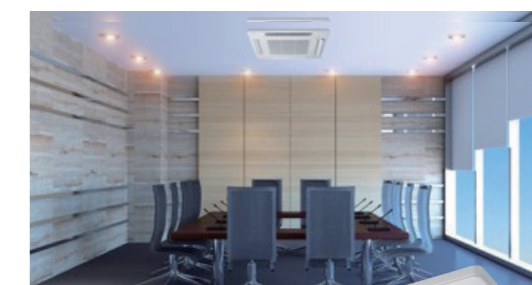
Temperature distribution by thermograph (cooling operation)

Simulation conditions:  
45PU 4-way ceiling-mounted cassette type in cooling mode/  
Floor area of 225 m<sup>2</sup>/ Ceiling height of 3 m



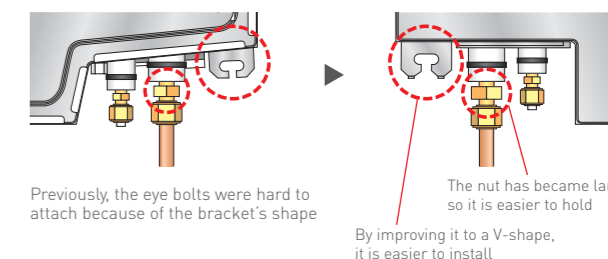
### Flat Horizontal Design

Panasonic believes that one of the most important elements of design is that it doesn't interfere with the overall room interior. The flat horizontal design of the 4-way Cassette achieves an elegant, yet simple form. This design allows it to protrude only 33.5 mm from the ceiling, to blend naturally into a variety of interiors, including offices and restaurants.



### Easy Installation Design

With conventional models, it was difficult to use tools without damaging the interior. This has been redesigned for easier installation.



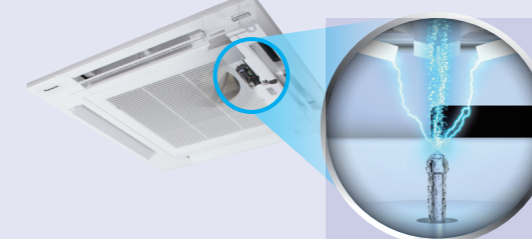
### nanoe™ X Mechanism

Amount of OH radicals increases without increasing amount of ozone, leading to improved effectiveness!

#### Generation Mechanism

nanoe™ X is generated from moisture in the air

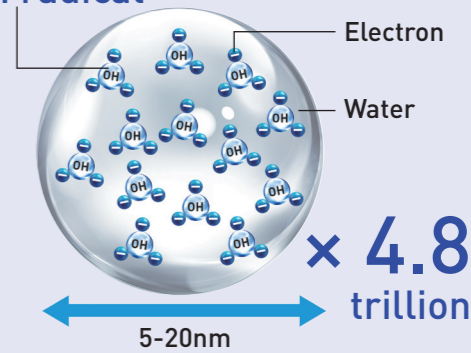
#### Atomization electrode



Multi-Leader

#### Structure

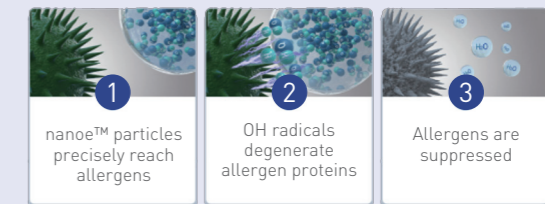
#### OH radical



#### How to Deodorize Odor\*1 \*2 \*3



#### How to Inhibit Bacteria, Virus and Mold\*4 \*5 \*6 \*7 \*8



### Also Cleans the Air When Not Air Conditioning

You can also use nanoe™ X in Fan mode when you're not cooling or heating the room. For example, you can use nanoe™ X to effectively suppress bacteria and odors without using excessive electricity when the office is empty or after business hours in a restaurant.

#### Business Time



#### AC Mode + nanoe™ X

nanoe™ X purifies the room while maintaining the comfort temperature when people are in presence.

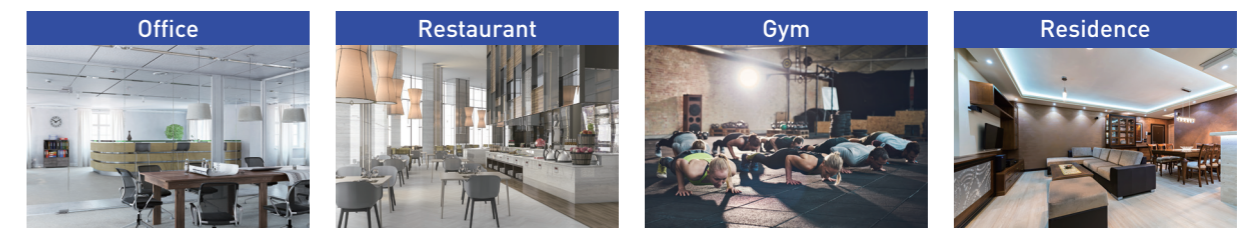
#### Closed Time



#### FAN Mode + nanoe™ X

After closing shops and facilities, nanoe™ X can perform air purification while they are not in use.

### Case Examples of nanoe™



nanoe™ is Panasonic's unique air purifying technology. Introduced in 2003, nanoe™ has brought comfortable, clean air to a wide variety of living environments. By conducting further research & development, Panasonic has now succeeded in developing nanoe™ X, with dramatically increased performance.

## nanoe™ X Improves Air Quality

Panasonic's unique nanoe™ X has an outstanding effect on various air pollutants, including allergens, viruses and bacteria, as well as cigarette and other household odors. It takes reliable air purification performance another step forward.



### Deodorizes unpleasant odors\*1 \*2 \*3



nanoe™ X works on the substances responsible for odors to deodorize them.

### Inhibits bacteria and virus\*4 \*5 \*6 \*7 \*8



nanoe™ X suppresses airborne particles including bacteria, viruses and mould.

\*1 Adhering odor of cigarette [Effectiveness]: Decrease by 1.7 level [Testing Institute: Gunma Research Center [Test Report No.: No. 27055 [Result]: Decrease in odor intensity by 0.7 level after 2 hour of operation.  
 \*2 Floating odor of cigarette [Effectiveness]: Decrease by 0.8level [Test Lab Size]:136.5m3 [Testing Institute: Panasonic Corporation Product Analysis Center [Test Report No.: 4AA33-170117-A01 [Result]: Decrease in odor intensity by 0.8 level after 2 hour of operation.  
 \*3 Adhering odor of Meat Grilling [Effectiveness]: Decrease by 0.9 level [Test Lab Size]:67.7m3 [Testing Institute: Panasonic Corporation Product Analysis Center [Test Report No.: 4AA33-170203-A03 [Result]: Decrease in odor intensity by 0.9 level after 2 hour of operation.  
 \*4 Mould [Effectiveness]: Inhibit Mould Growth [Testing Institute: Japan Food Research Laboratories [Test Report No.: 13044083002-01 [Result]: The growth of the subject was inhibited after 8-hour nanoe™ operation.  
 \*5 Bacteria [Effectiveness]: 99% [Testing Institute: Kitasato Research Center for Environmental Science [Test Report No.: KRCE5-Env. Test Report 24\_0301\_1 [Result]: 99% of deactivation after 4-hour nanoe™ operation.  
 \*6 Bacteria [Effectiveness]: 99% [Testing Institute: Japan Food Research Laboratories [Test Report No.: 13044083002-01 [Result]: The growth of the subject was inhibited after 8-hour nanoe™ operation.  
 \*7 Viruses [Effectiveness]: 99% [Testing Institute: Kitasato Research Center for Environmental Science [Test Report No.: KRCE5-Env. Test Report 24\_0300\_1 [Result]: 99% of deactivation after 6-hour nanoe™ operation.  
 \*8 Viruses [Effectiveness]: 99% [Testing Institute: Japan Food Research Laboratories [Test Report No.: 13001265005-01 [Result]: 99% of deactivation after 8-hour nanoe™ operation.

# Flexible Installation



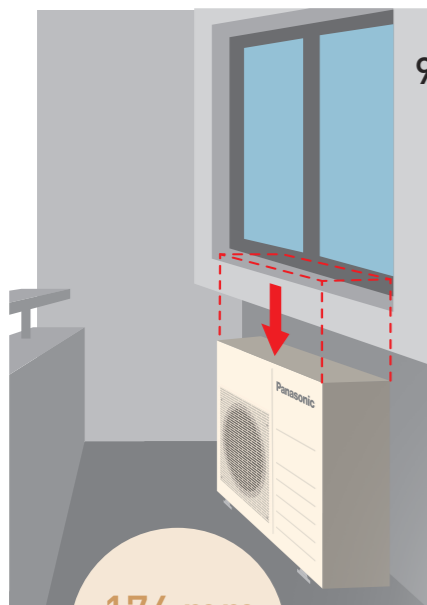
## Space Saving Outdoor Unit

Panasonic's ingeniously designed outdoor units are compact in size to fit into any space and layout. Its smaller size makes it easy to install even in limited spaces. Flexibility in piping allows more freedom in installation leading to a reduced installation costs.

H1170 × W900 × D320

174 mm Shorter

## Can be installed in the limited space



174 mm Shorter

996mm

980mm

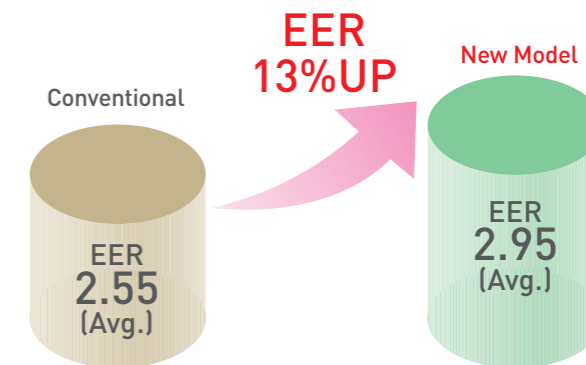
370mm

U-36PV1T8  
U-42PV1T8  
U-45PV1T8  
U-48PV1T8

## High Efficiency<sup>(\*)</sup>

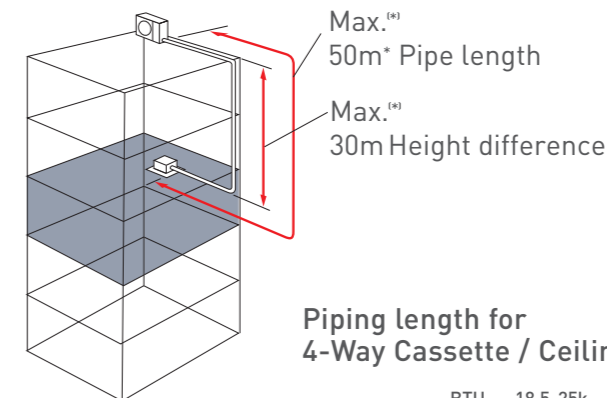
The performance of our previous 2-fan models is now achieved by 1-fan models. The Coefficient of Performance has been greatly improved to reduce power consumption.

<sup>(\*)</sup>For 4-Way Cassette.



## Long Piping

Piping can be extended up to 30m without additional gas charging, and up to 50m with additional gas charging. By giving you more flexibility in positioning the outdoor unit, this gives you a wider range of installation options.



<sup>(\*)</sup>Supports for  
U-36PV1T8  
U-42PV1T8  
U-45PV1T8  
U-48PV1T8  
U-51PV1T8

## Refrigerant Charge less Up to 30m

No additional gas charging is needed up to 30m. Installation is easy and hassle-free.

## Piping length for 4-Way Cassette / Ceiling

	BTU 18.5-25k	28-30k	36-54k
Max. Pipe Length	30 m	45 m	50 m
Max. Chargeless Length #	7.5 m	7.5 m	30 m
Max. Height Difference	20 m	25 m	30 m

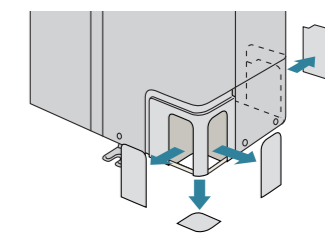
# Additional gas is required when pipe length is extended.

## Flexible 4-way Piping

Piping can be routed in any of four directions.

## Flexible 4-Way piping

Supports for  
U-36PV1T8  
U-42PV1T8  
U-45PV1T8  
U-48PV1T8  
U-51PV1T8



## Easy Installation & Service Maintenance

The PCB inside the outdoor unit have been removed. It's easy installation and service maintenance.

Supports for  
U-18PV1UT5  
U-24PV1T5  
U-30PV1T8



## Precise Control, Easy Comfort

Panasonic Packaged Series Remote Controllers are designed with user comfort in mind. Multiple settings are available so airflow and air quality can be regulated according to preferences. Users can also opt for a wired remote controller equipped with high-performance timer.



## Weekly Timer (For All Models)

1. Timer can be set for each day of the week.
2. Can be pre-set with: •Max. 6 settings/day •42 settings/week.
3. The temperature can also be programmed for optimal comfort.

### Pre-sets for different conditions

<b>Businesses with regular off days</b> Example: Saturday afternoon - CLOSED Sunday - CLOSED	<b>Businesses with varying visitor flows at different timings</b> Example: Lunchtime - More visitors, lower temperature	<b>Can be set to switch off automatically</b> Example: Avoid power wastage even if users forget to turn it off (weekdays)
<b>Mon-Fri On 9:00, Off 18:00</b> Sat On 9:00, Off 12:00 Sun Not set	<b>Daily Settings</b> On 12:00 23°C On 14:00 28°C	<b>Mon-Fri Off 20:00</b>

▶ Timer settings can be different every day of the week.    ▶ Timing & temperature can be set simultaneously.    ▶ Timer can be set for simple shut-off operation.

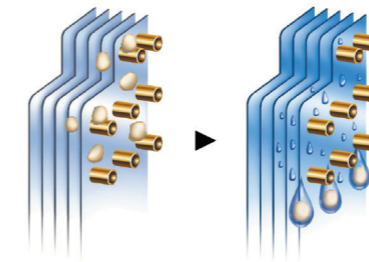
### Setting the timer

\*Simple Timer Mode  
Using the 24-Hour ON/OFF timer, ON/OFF operations can be set at the same time daily.

## Odour Wash (For All Models)

Reduces unpleasant odours caused by the air conditioner's heat exchanger.

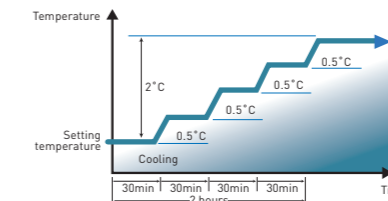
### Odour Removing ONE PUSH



When air from the outlet smells musty, moisture in the heat exchanger washes away odours.  
Can be operated with the wireless remote controller.

## Economy Mode (For All Models)

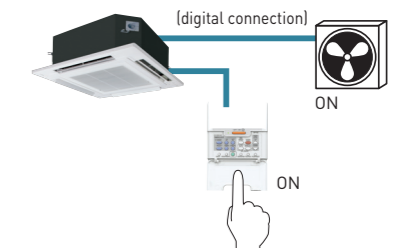
Saves up to 20%\* energy. The air conditioner determines the stable condition and moderately shifts the set temperature in 0.5-degree steps to regulate the energy-saving operation (max. 2 degrees).



\*During operating in the cooling mode at the remote control set temperature of 25 under the cooling standard temperature conditions.  
Can be operated with the wireless remote controller.

## Ventilation (For All Models)

When an external device such as a ventilator is connected to the indoor unit, the ventilator's ON/OFF operations can be controlled by the wired remote controller. You can select from either link-ventilation or independent-ventilation.

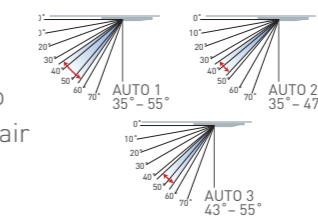


Ventilators are not included in the product line-up.  
OPTIONAL : Printed circuit board (Interface Adapter for External Signals CZ-TA31P\*) is needed.

- \*Printed Circuit Board CZ-TA31P
- By connecting to the indoor unit, a separately sold ventilator can be controlled.
- Remote operation control of the indoor unit is enabled (ON/OFF control).
- The condition of the indoor unit (malfunctions, operating status) can be output externally.
- Control in linkage to a total heat exchanger or similar devices is possible.

## Multi Comfort Air Control (For Cassette Models)

New control technology gives users a wide selection of more specific airflow angles. Choose from the 3-Pattern Auto Swings to avoid direct exposure to cool air (total 50-degree swing width).

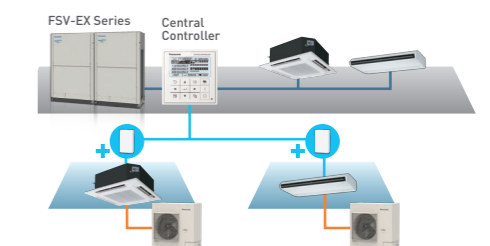


## RAC Interface Adapter

Using RAC Interface Adapter along with the existing VRF units, a centralized control system is possible. Temperature management can be achieved by expanding low-to-mid sizes together.



## Even buildings with additional air conditioning systems can be central controlled



## Wired Remote Controller

CZ-RD513C (For All Models)  
(For 4-Way Cassette Type and Ceiling Exposed Type)



## Wireless Remote Controller / Receiver

4-Way Cassette Type (Optional)

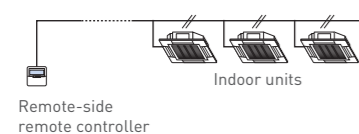


Ceiling Exposed Type (Optional)



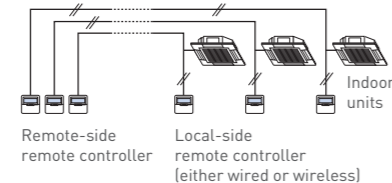
## Settings can be regulated with 3 control options:

### Group Control by a single remote controller



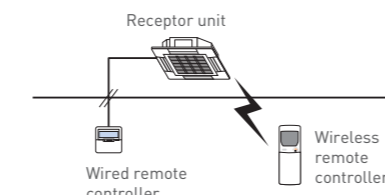
- All indoor units operate in the same mode.

### Separate Control by Twin Remote Controllers



- Each indoor unit can be operated by either of the two remote controllers.
- Apart from the timer setting time, the displays for the two remote controllers are identical.
- The last button pressed has priority (The main or slave attribute is set with the remote controller).

### Common Control by Both Wired and Wireless Remote Controllers



- The last button pressed has priority (using either wired or wireless remote controllers).

# 4-WAY CASSETTE

**NEW**

Model No.  
 S-18PU1T5 S-42PU1T5  
 S-24PU1T5 S-45PU1T5  
 S-30PU1T5 S-51PU1T5  
 S-36PU1T5

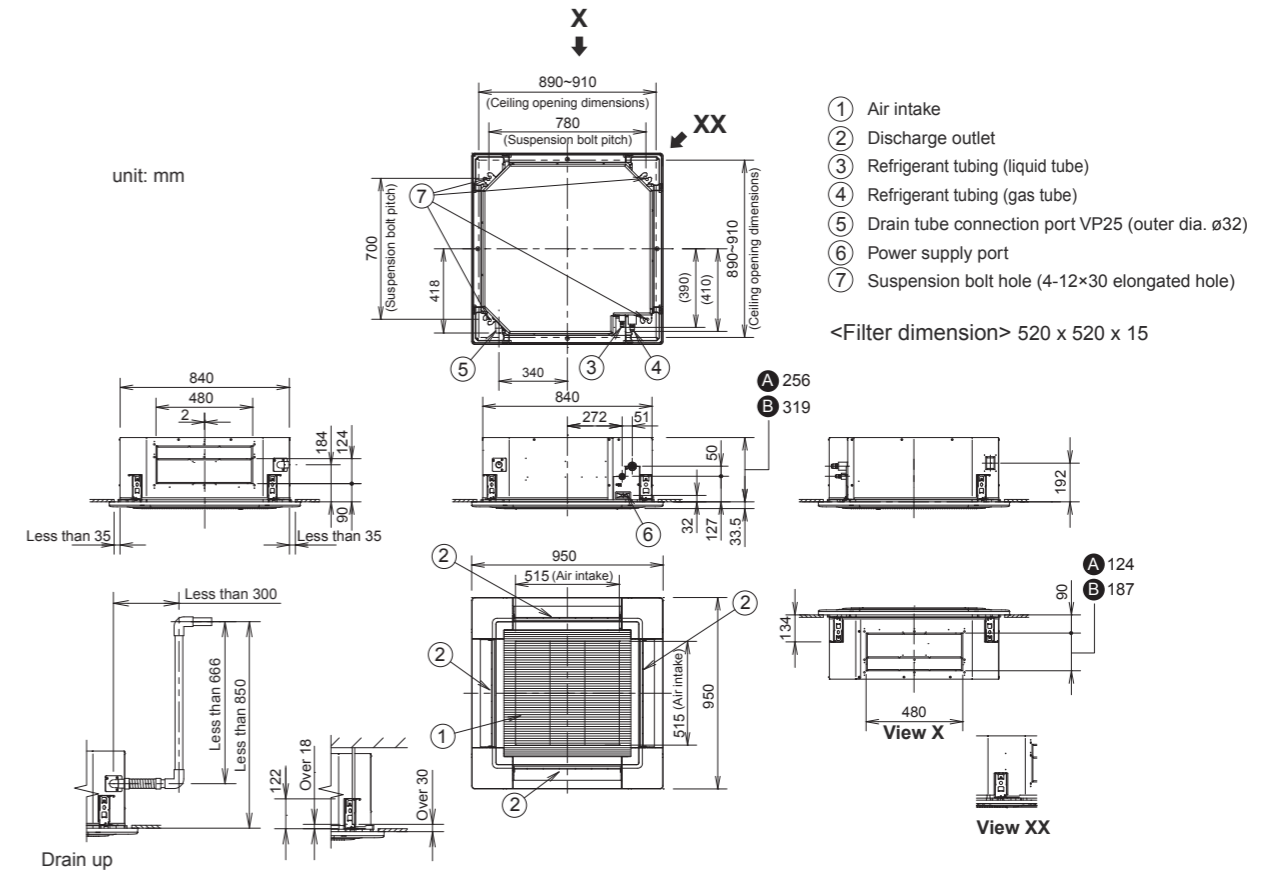
## TECHNICAL FOCUS

- Compact design
- Low sound levels
- DC fan motor for increased efficiency
- Powerful drain pump gives 850 mm lift
- Lightweight design
- Optional nanoe™ X (CZ-CNEXU1)



## Dimensions

- A** (S-18PU1T5 / S-24PU1T5)  
**B** (S-30PU1T5 / S-36PU1T5 / S-42PU1T5 / S-45PU1T5 / S-51PU1T5)



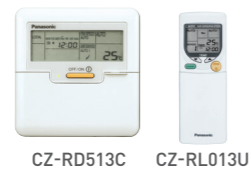
\* Adjust the suspension bolt length so that the gap from the lower ceiling surface becomes 30 mm or more (18 mm or more from the lower surface of the body) as shown in the figure. When the suspension bolt length is long, it hits the ceiling panel and installation is not possible.

## Accessories

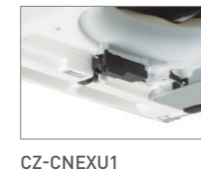
### Panel



### Selectable Remote Controller



### Optional nanoe™ X Kit



### Coner Panel



Capacity [ Btu/h ]		18,400	24,200	30,000	37,200	41,900	45,000	54,200
Power Source	V/Phase Hz	220 V, 1Ø Phase - 50 Hz			380 V, 3Ø Phase - 50 Hz			
Indoor		S-18PU1T5	S-24PU1T5	S-30PU1T5	S-36PU1T5	S-42PU1T5	S-45PU1T5	S-51PU1T5
Outdoor		U-18PV1T5	U-24PV1T5	U-30PV1T8	U-36PV1T8	U-42PV1T8	U-45PV1T8	U-51PV1T8
Panel		CZ-KPU3	CZ-KPU3	CZ-KPU3	CZ-KPU3	CZ-KPU3	CZ-KPU3	CZ-KPU3
Cooling Capacity: Rated	kW	5.40	7.10	8.80	10.90	12.30	13.20	15.90
	Btu/h	18,400	24,200	30,000	37,200	41,900	45,000	54,200
Current	A	7.8	9.9	5.2	6.5	6.9	7.5	9.1
Power Input: Rated	kW	1.69	2.13	2.93	3.76	4.01	4.37	5.24
	W/W	3.20	3.33	3.00	2.90	3.07	3.02	3.03
EER		10.89	11.36	10.24	9.89	10.45	10.30	10.34
	Btu/hW							
<b>Indoor Unit</b>								
Air Volume	m <sup>3</sup> /min	24.0	25.0	28.5	33.0	33.0	33.0	34.0
Sound Pressure Level [Hi/Lo]	dB [A]	41 / 32	41 / 32	42 / 34	45 / 37	45 / 37	45 / 37	47 / 42
Sound Power Level [Hi/Lo]	dB	56 / 47	56 / 47	57 / 49	60 / 52	60 / 52	60 / 52	62 / 57
Dimension	Indoor [H×W×D]	mm	256 × 840 × 840	256 × 840 × 840	319 × 840 × 840	319 × 840 × 840	319 × 840 × 840	319 × 840 × 840
	Panel [H×W×D]	mm	44 × 950 × 950	44 × 950 × 950	44 × 950 × 950	44 × 950 × 950	44 × 950 × 950	44 × 950 × 950
Net Weight	Indoor	kg	19	20	22	22	22	22
	Panel	kg	4	4	4	4	4	4
<b>Outdoor Unit</b>								
Sound Pressure Level	dB [A]	52	52	57	56	56	56	56
Sound Power Level	dB	68	67	72	70	70	70	70
Dimension	Outdoor [H×W×D]	mm	695 × 875 × 320	695 × 875 × 320	750 × 875 × 345	996 × 980 × 370	996 × 980 × 370	996 × 980 × 370
		mm						1,170 × 900 × 320
Net Weight	kg	44	55	58	86	86	86	94
Piping Connection	Gas Pipe	mm (inch)	12.70 [1/2"]	15.88 [5/8"]	15.88 [5/8"]	15.88 [5/8"]	15.88 [5/8"]	15.88 [5/8"]
	Liquid Pipe	mm (inch)	6.35 [1/4"]	9.52 [3/8"]	9.52 [3/8"]	9.52 [3/8"]	9.52 [3/8"]	9.52 [3/8"]
Pipe Length	Min-Max	m	7.5 - 30	7.5 - 30	7.5 - 45	7.5 - 50	7.5 - 50	7.5 - 50
Elevation Difference	m	20	20	25	30	30	30	30
Maximum Chargeless Length	Max	m	7.5	7.5	30	30	30	30
Additional Gas	g/m	20	25	30	50	50	50	50
Operating Range, Outdoor	Min-Max	°C	16 - 43	16 - 43	16 - 43	16 - 43	16 - 43	16 - 43



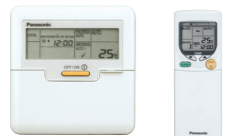
**Model No.**  
 S-18PT1T5 S-42PT1T5  
 S-24PT1T5 S-48PT1T5  
 S-30PT1T5 S-51PT1T5  
 S-36PT1T5

### TECHNICAL FOCUS

- Compact Looking, Stylish, One-Motion Design
- Energy-Saving Technology Delivering Top-Class Efficiency
- Comfortable, Long-Distance Air Flow Distribution

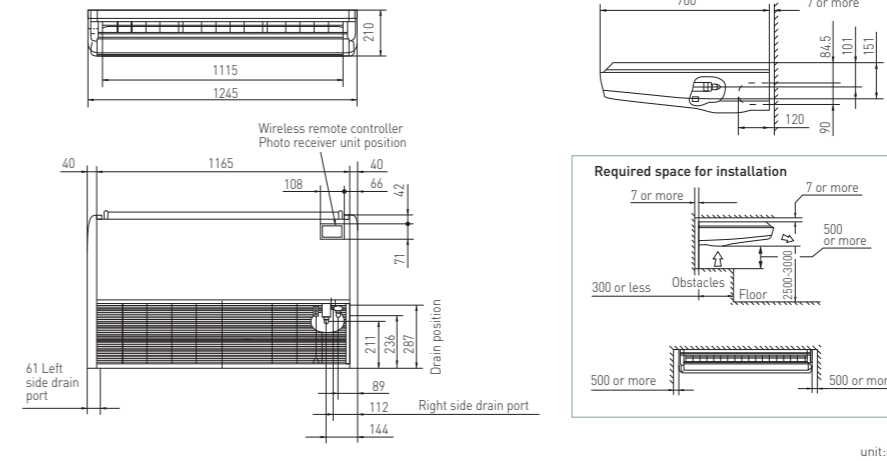


### Selectable Remote Controller

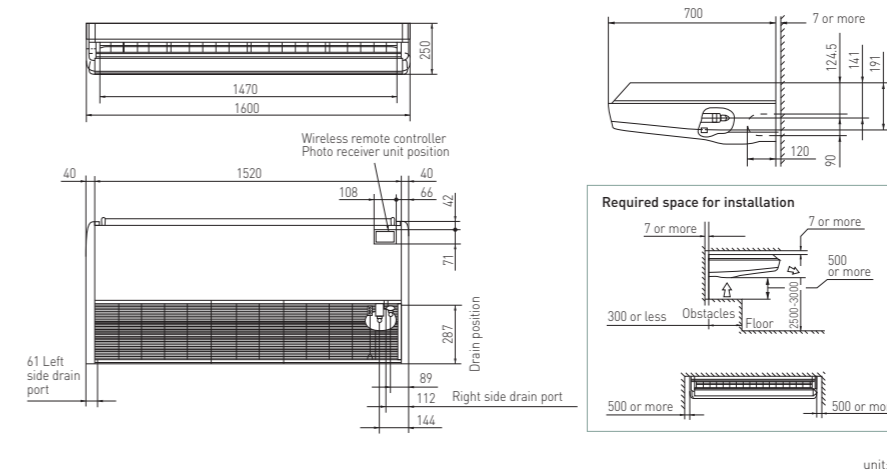


CZ-RD513C CZ-RL013T

### Dimensions (S-18PT1T5 / S-24PT1T5)

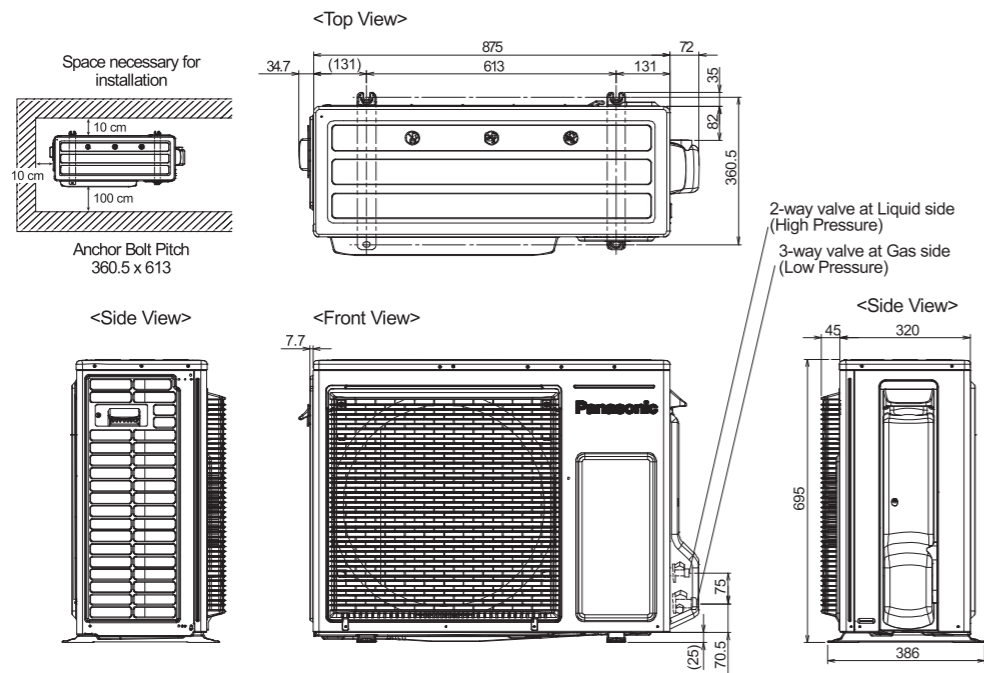


### Dimensions (S-30PT1T5 / S-36PT1T5 / S-42PT1T5 / S-48PT1T5 / S-51PT1T5)



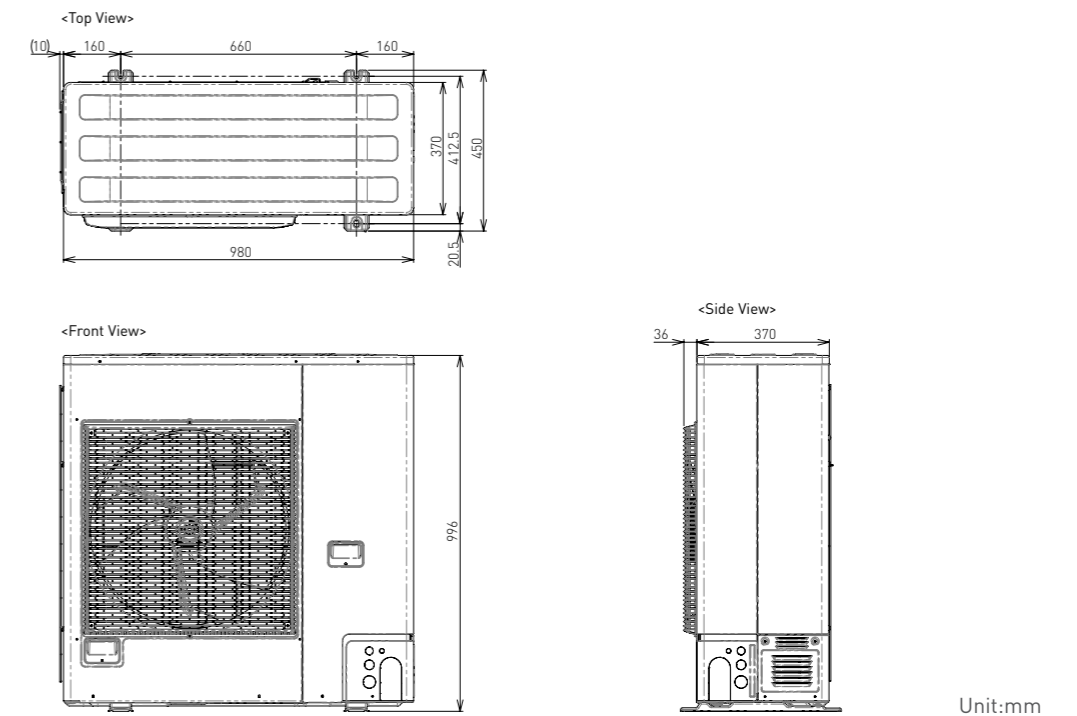
Capacity [ Btu/h ]	18,800	22,500	30,000	37,200	41,900	47,100	51,200
Power Source	V/Phase Hz 220 V, 1Ø Phase - 50 Hz			380 V, 3Ø phase - 50Hz			
Indoor	S-18PT1T5	S-24PT1T5	S-30PT1T5	S-36PT1T5	S-42PT1T5	S-48PT1T5	S-51PT1T5
Outdoor	U-18PV1T5	U-24PV1T5	U-30PV1T8	U-36PV1T8	U-42PV1T8	U-48PV1T8	U-51PV1T8
Cooling Capacity: Rated	kW	5.50	6.60	8.80	10.90	13.80	15.00
	Btu/h	18,800	22,500	30,000	37,200	41,900	51,200
Current	A	7.7	10.1	5.2	6.5	7.2	9.5
Power Input: Rated	kW	1.67	2.18	2.87	3.78	4.17	5.44
	W/W	3.29	3.03	3.07	2.88	2.95	2.76
EER	Btu/hW	11.26	10.32	10.45	9.84	10.05	9.41
<b>Indoor Unit</b>							
Air Volume	m <sup>3</sup> /min	18.0	18.0	31.0	31.0	31.0	32.0
Sound Pressure Level (Hi/Lo)	dB [A]	44 / 40	44 / 40	49 / 45	49 / 45	49 / 45	50 / 46
Sound Power Level (Hi/Lo)	dB	59 / 55	59 / 55	64 / 60	64 / 60	64 / 60	65 / 61
Dimension	Indoor (H×W×D)	mm 210 × 1,245 × 700	210 × 1,245 × 700	250 × 1,600 × 700	250 × 1,600 × 700	250 × 1,600 × 700	250 × 1,600 × 700
Net Weight	kg	33	33	48	48	48	48
<b>Outdoor Unit</b>							
Sound Pressure Level	dB [A]	52	52	57	56	56	56
Sound Power Level	dB	68	68	72	70	70	70
Dimension	Outdoor (H×W×D)	mm 695 × 875 × 320	695 × 875 × 320	750 × 875 × 345	996 × 980 × 370	996 × 980 × 370	1170 × 900 × 320
Net weight	kg	49	55	58	86	86	94
Piping Connection	Gas Pipe	mm (inch) 12.70 [1/2"]	15.88 [5/8"]	15.88 [5/8"]	15.88 [5/8"]	15.88 [5/8"]	15.88 [5/8"]
	Liquid Pipe	mm (inch) 6.35 [1/4"]	9.52 [3/8"]	9.52 [3/8"]	9.52 [3/8"]	9.52 [3/8"]	9.52 [3/8"]
Pipe Length	Min-Max	m 7.5 - 30	7.5 - 30	7.5 - 45	7.5 - 50	7.5 - 50	7.5 - 50
Elevation Difference	m	20	20	25	30	30	30
Maximum Chargeless Length	Max	m 7.5	7.5	7.5	30	30	30
Additional Gas	g/m	20	25	30	50	50	50
Operating Range, Outdoor	Min-Max	°C 16 - 43	16 - 43	16 - 43	16 - 43	16 - 43	16 - 43

Dimensions (U-18PV1UT5 / U-18PV1TT5 / U-24PV1T5) 1-phase



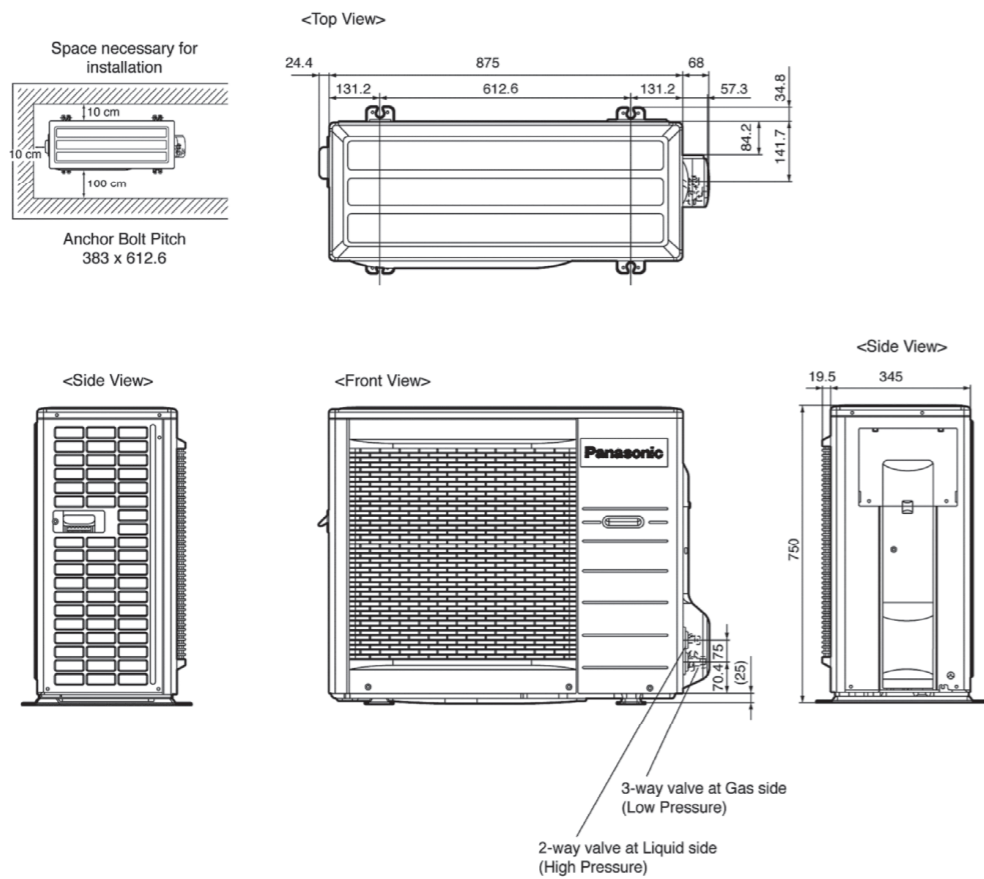
Unit:mm

Dimensions (U-36PV1T8 / U-42PV1T8 / U-45PV1T8 / U-48PV1T8) 3-phase



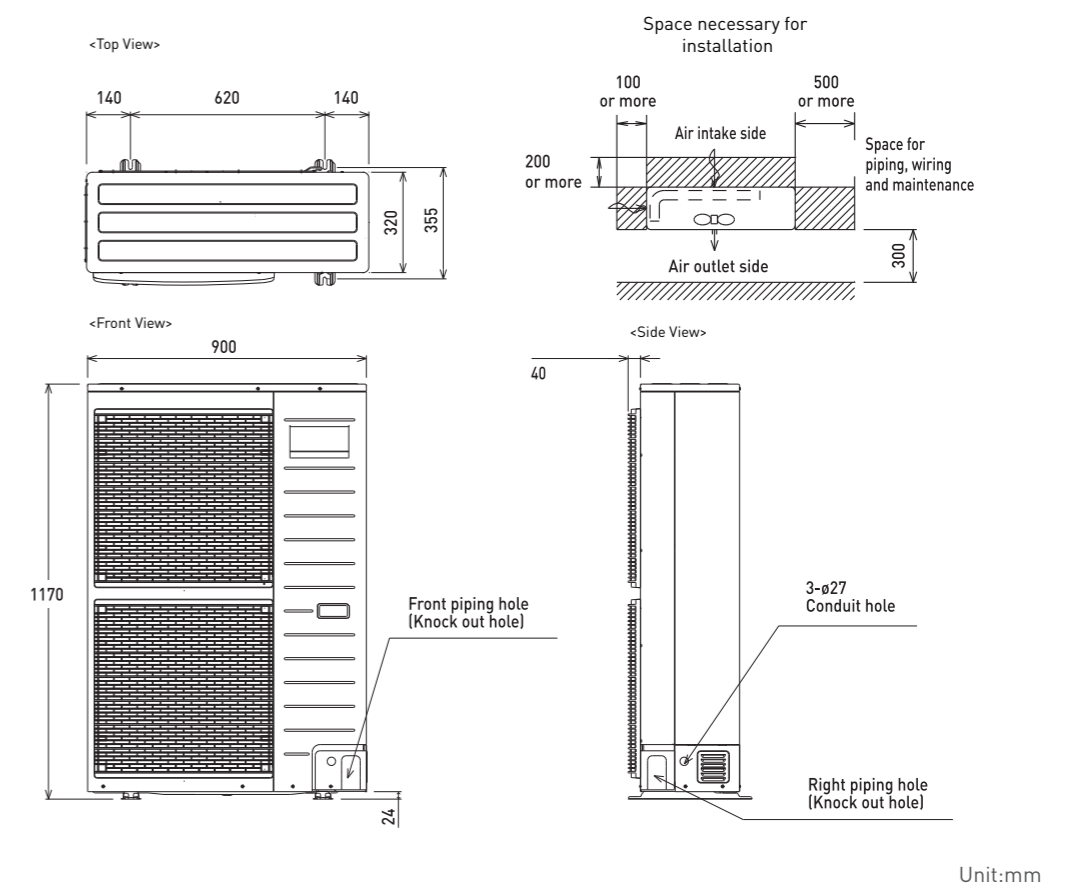
Unit:mm

Dimensions (U-30PV1T8) 3-phase



Unit:mm

Dimensions (U-51PV1T8) 3-phase



Unit:mm